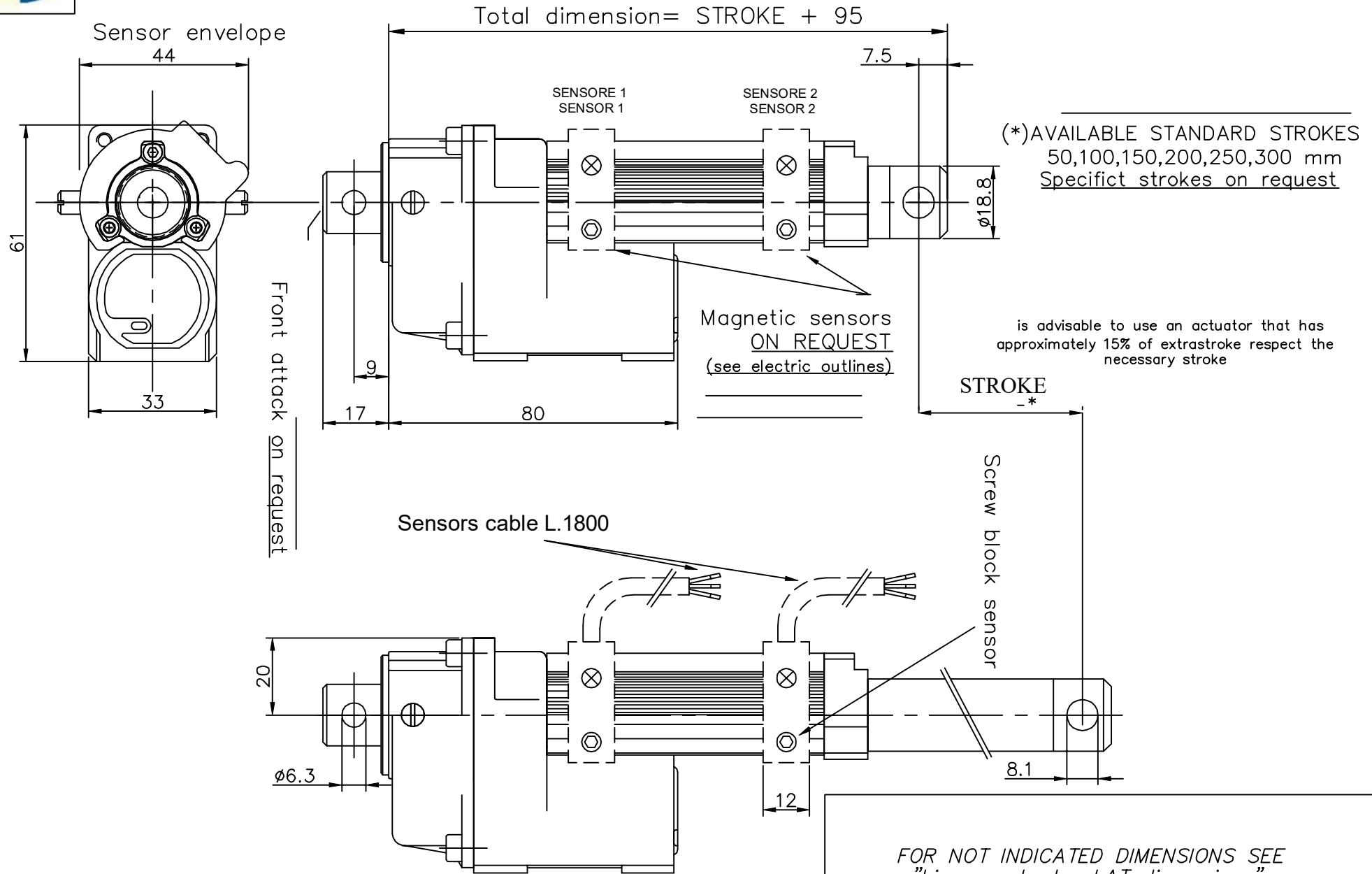




# TELESCOPIC ACTUATOR "LATT" DIMENSIONS



FOR NOT INDICATED DIMENSIONS SEE "Linear actuator LAT dimensions"