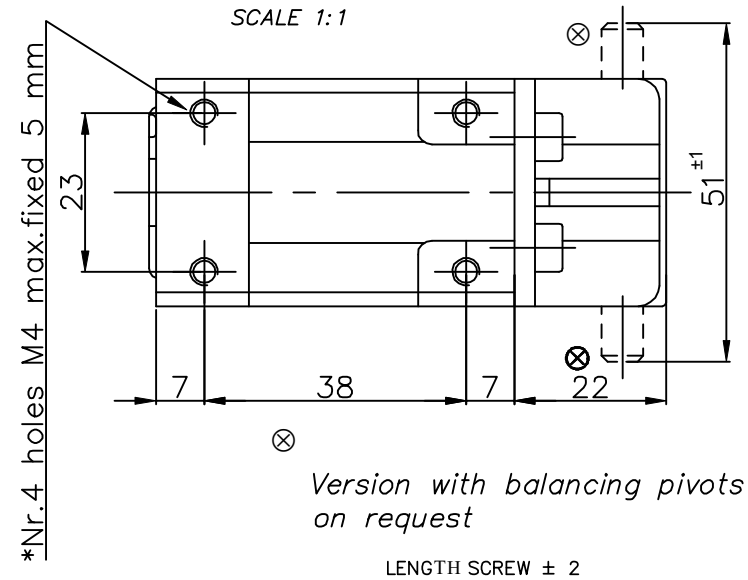
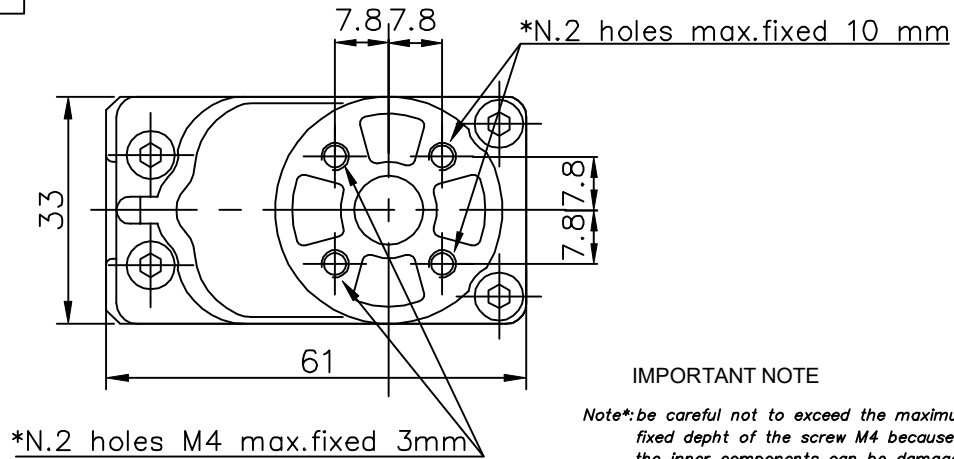
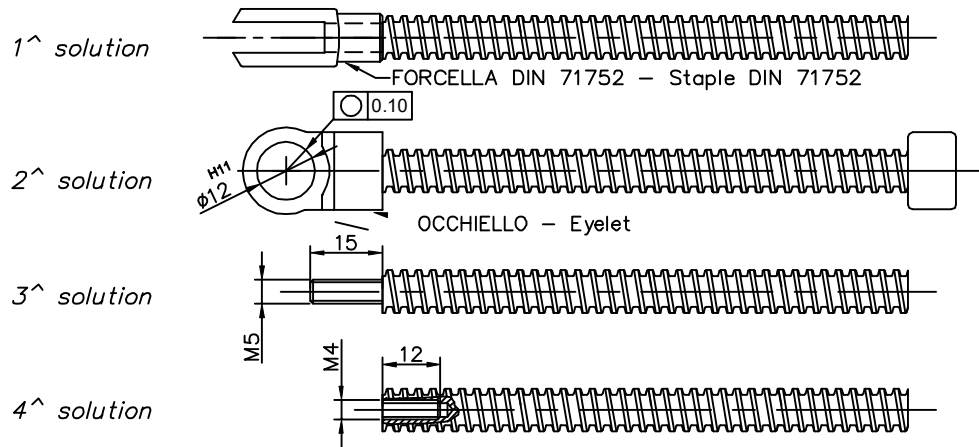




## LINEAR ACTUATOR "LAT" DIMENSIONS



### STANDARD SOLUTIONS FIXING SCREW



### TRAPEZOIDAL SCREWS AVAILABLE

- Ø8,7 PASSO 3 - PITCH 3 (AISI 430F)
- Ø9,8 PASSO 3 - PITCH 3 (AISI 430F)
- Ø7,9 PASSO 10 - PITCH 10 (AISI 430F)

