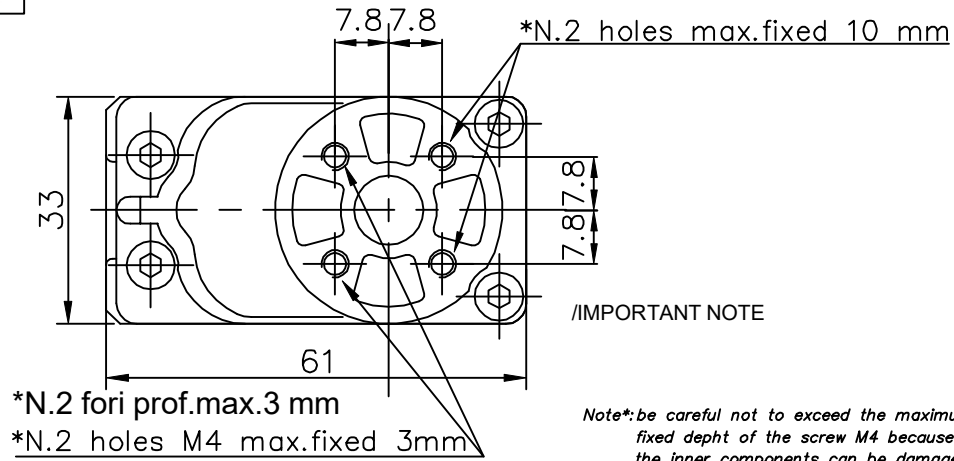
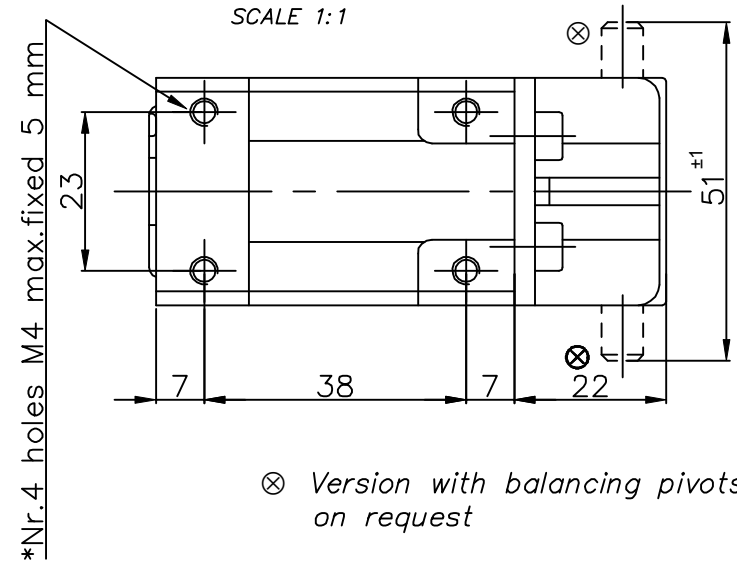




LINEAR ACTUATOR "LAF" DIMENSIONS



Note: be careful not to exceed the maximum fixed depth of the screw M4 because the inner components can be damaged.*



⊗ *Version with balancing pivots on request*

Minimal beam of curving 70

