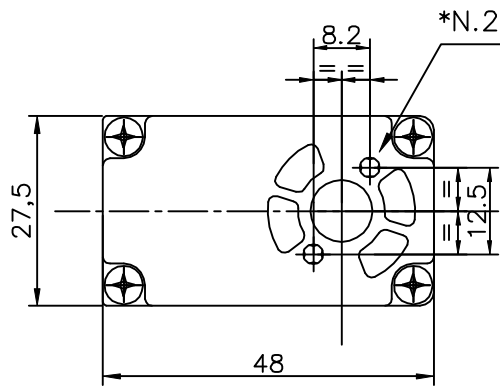


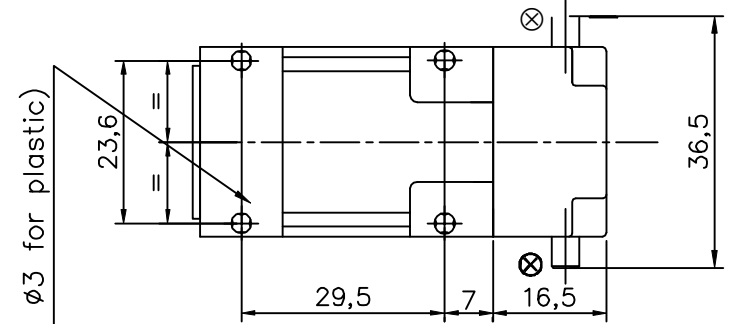


LINEAR ACTUATOR "MINILAT" DIMENSIONS



*N.2 holes for fixing (to use screws $\phi 3$ for plastic)

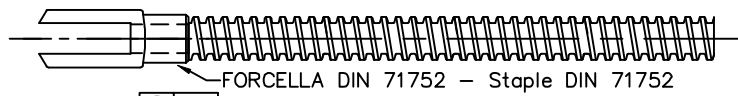
SCALE 1:1



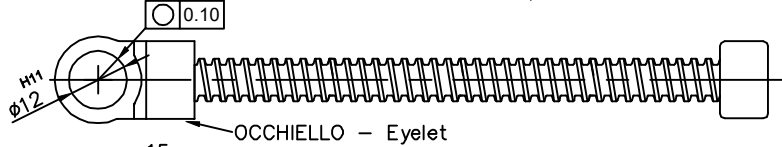
Version with balancing pivots on request

STANDARD SOLUTIONS FIXING SCREW

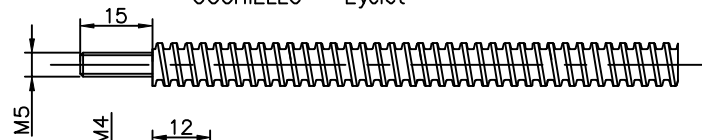
1^ solution



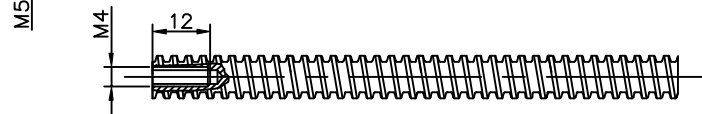
2^ solution



3^ solution



4^ solution



TRAPEZOIDAL SCREWS AVAILABLE

$\phi 8,7$ 3 - PITCH 3 (AISI 430F)

$\phi 7,9$ 10 - PITCH 10 (AISI 430F)

*N.4 holes for fixing (to use screws $\phi 3$ for plastic)

