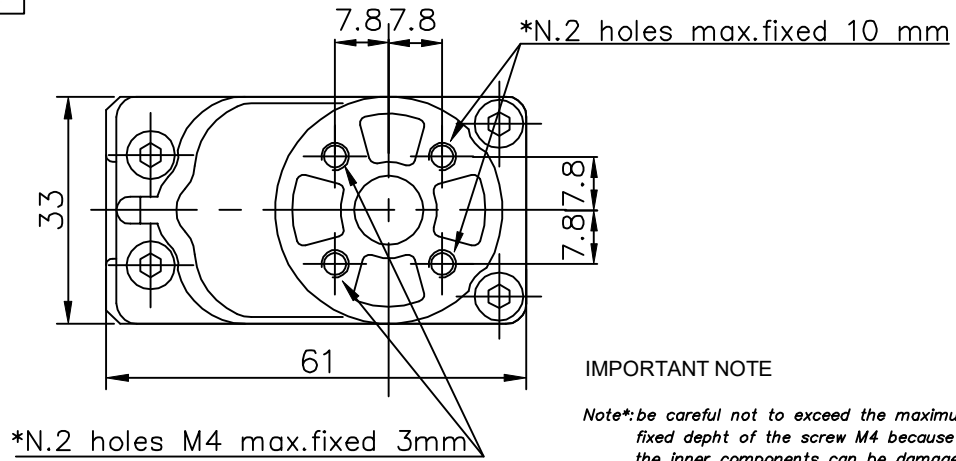


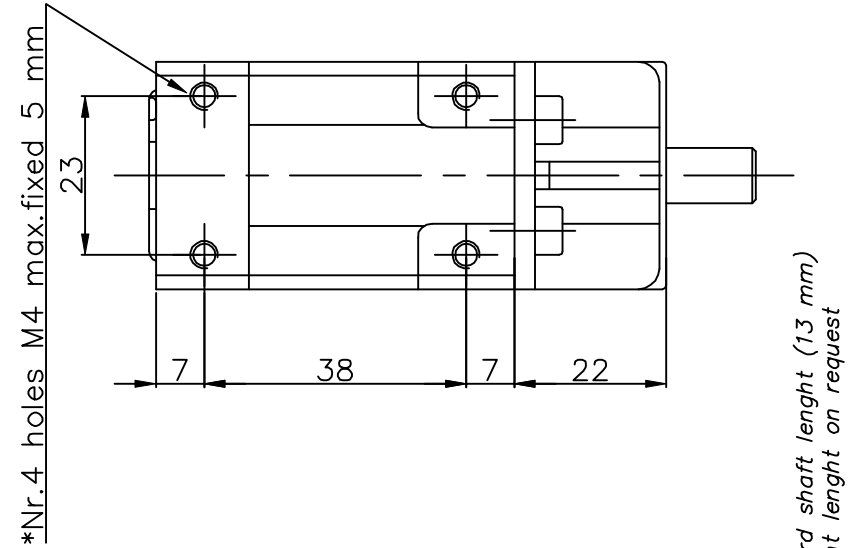


# GEARMOTOR "GM" DIMENSIONS

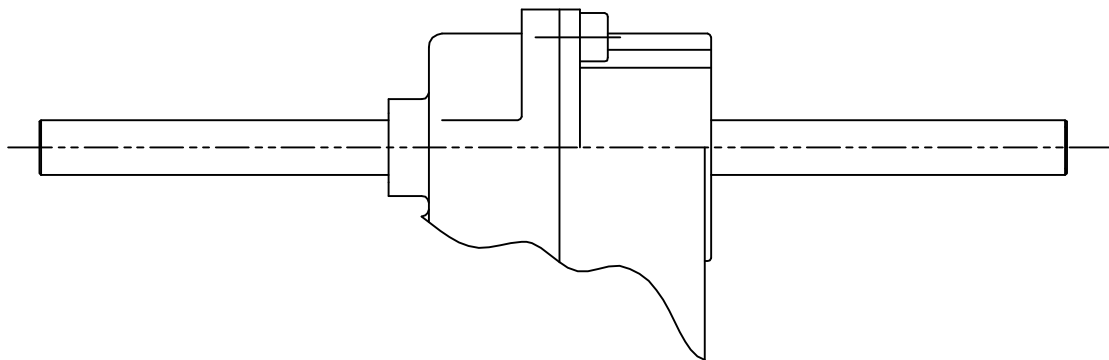


### IMPORTANT NOTE

*Note\*: be careful not to exceed the maximum fixed depth of the screw M4 because the inner components can be damaged.*



## DOUBLE SHAFT VERSION ON REQUEST



OVERALL SHAFT LENGTH AS PER CUSTOMER REQUEST

